

FECS41-250 - for the Detection of Nitric Oxide

Features:

- * High sensitivity/selectivity to NO
- * Quick response to NO
- * Linear output
- * Long life
- * Stable baseline
- * Unique leak-proof structure

Applications:

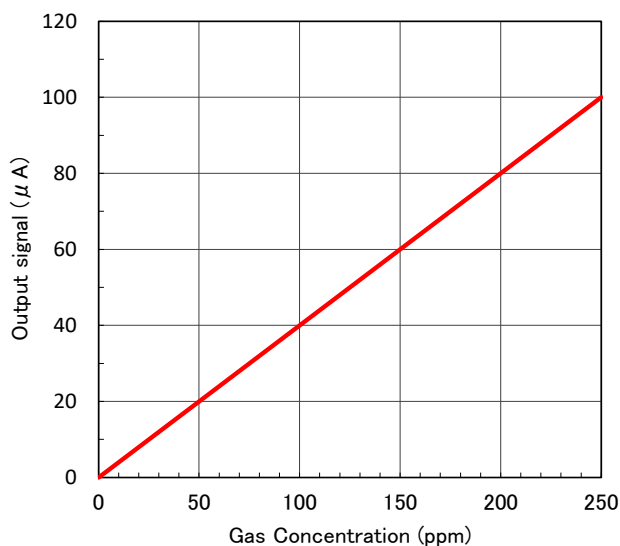
- * Portable and fixed installation NO monitors
- * NO detectors
- * Ventilation control for indoor parking garages

The FECS41-250 is a unique electrochemical-type nitric oxide sensor. Its most notable feature is its unique leak-proof structure, making it ideal for NO monitors and detectors in various fields.



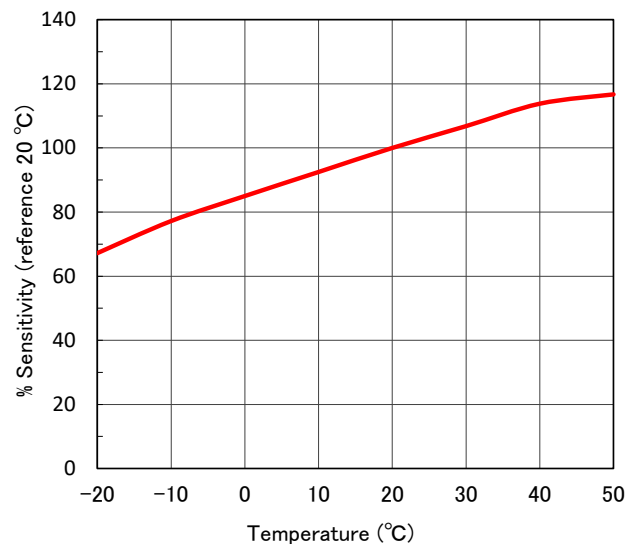
Sensitivity Characteristics:

Typical characteristics (linearity) of FECS41-250 (20°C) are shown below.



Temperature Dependency:

Typical characteristics (temperature dependency) of FECS41-250 are shown below.



Specifications:

Detection Gas	Nitric Oxide
Detection Range	0 ~ 250 ppm
Maximum Overload	1000 ppm
Output Signal	400 ± 80 nA/ppm (*1)
Repeatability	±2% (*1)
Resolution	0.5 ppm (*1)
Baseline Range (Clean air)	0 ~ 3 ppm (typical) (*1)
Response Time (t ₉₀)	< 40 seconds (typical) (*1)
Baseline Shift (-20 ~ 40°C)	< 4 ppm (typical) (*1)
Long Term Output Drift	< 2% /month (*1)
Expected Life Time	> 2 years (*1,*2)
Operating Temperature	-20 ~ 50°C
Operating Humidity	15 ~ 90% RH
Operating Pressure Range	1013 hPa ±10%
Recommended Load Resistor	10Ω
Bias Voltage	+300 mV
Position Sensitivity	None
Recommended Storage Temp.	0 ~ 20°C
Cap Color	Orange
Weight	4.5g (approx.)

*1 Factory test data conditions: 20°C, 50%RH and 1013 hPa.

*2 Life expectancy in normal air under the factory test conditions is defined as the period until sensor output drops to 60% of its original value.

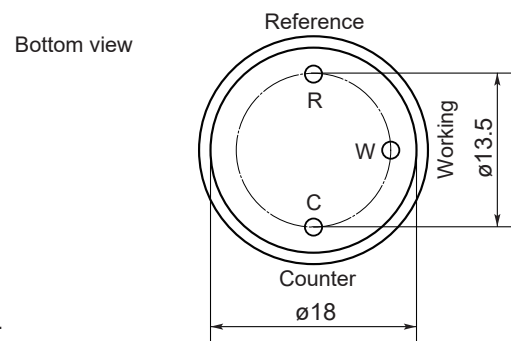
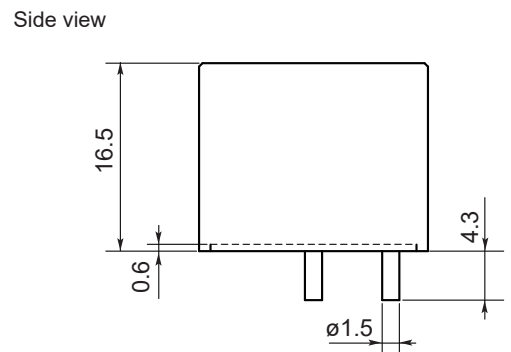
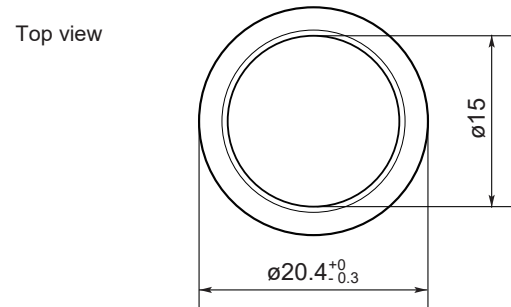
Cross Sensitivity Data :

Table1 shows the typical response of FECS41-250 to interference gases.

Table1 Cross Sensitivity of FECS41-250 (20°C)

Gas	Concentration (ppm)	Typical Nitric Oxide Concentration(ppm)Equivalent
Nitric Oxide	100	100
Carbon Monoxide	300	0
Carbon Dioxide	5,000	0
Hydrogen	1,000	0
Nitrogen Dioxide	5	< 1
Chlorine	10	0
Hydrogen Sulfide	15	< 4
Sulphur Dioxide	20	0
Ammonia	20	0

Dimensions:



Unit: mm

All tolerance ± 0.1mm unless otherwise stated.

The following are the recommended socket pins of FECS-series gas sensors:

Recommended specifications:

- Basically fitting male pin diameter is φ1.5 mm
- Male pin insertion depth is 4.3 mm or more

Socket pins (example):

S.E.R. Corporation: SS 6000-00

Mac Eight Co., Ltd: PD-152

FIGARO ENGINEERING INC.
 1-5-11 Senba-nishi
 Mino, Osaka 562-8505 JAPAN
 Phone: (81)-727-28-2045
 URL: www.figaro.co.jp/en/